

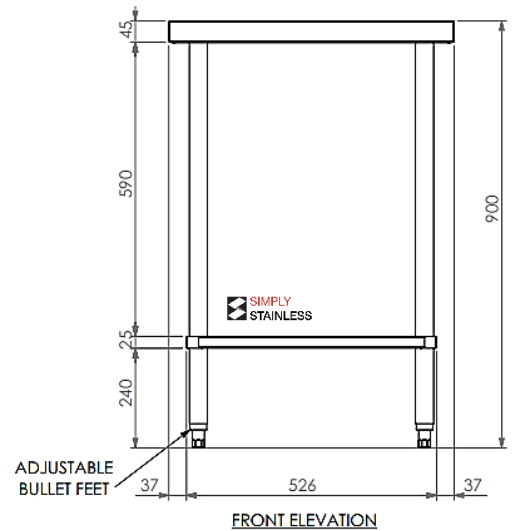


SIMPLY STAINLESS

www.simplystainless.com



| SPECIFICATION | |
|-----------------|---|
| Tops | High quality 304 grade stainless steel, 1.0mm gauge, no. 4 finish, studs under for fixing accessories |
| Top hat channel | Reinforcing Channel made from 1.0mm stainless steel |
| Frames | 38mm round stainless steel tube, satin polished, machined collars, adjustable bullet feet |
| Undershelves | 1.0mm gauge, high quality stainless steel, no. 4 finish, top hat stiffening with channels |



| IND - 01.6 | WORK (ISLAND) BENCH | |
|------------|---------------------|------------------------|
| | Product Code | Dimensions |
| | IND - 01.6.0600 | 600mm x 600mm x 900mm |
| | IND - 01.6.0900 | 900mm x 600mm x 900mm |
| | IND - 01.6.1200 | 1200mm x 600mm x 900mm |
| | IND - 01.6.1500 | 1500mm x 600mm x 900mm |
| | IND - 01.6.1800 | 1800mm x 600mm x 900mm |
| | IND - 01.6.2100 | 2100mm x 600mm x 900mm |
| | IND - 01.6.2400 | 2400mm x 600mm x 900mm |

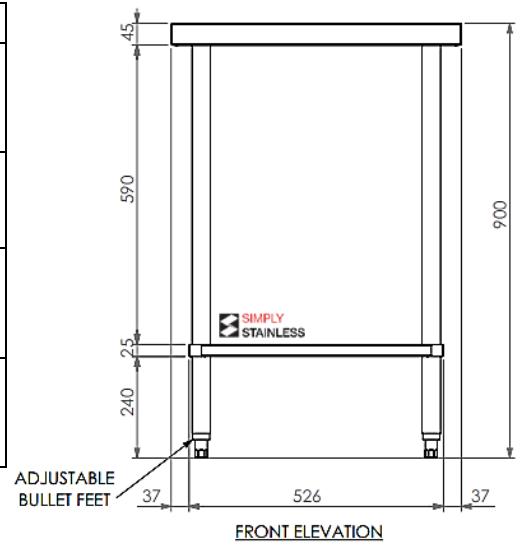


SIMPLY STAINLESS

www.simplystainless.com



| SPECIFICATION | |
|-----------------|---|
| Tops | High quality 304 grade stainless steel, 1.0mm gauge, no. 4 finish, studs under for fixing accessories |
| Top hat channel | Reinforcing Channel made from 1.0mm stainless steel |
| Frames | 38mm round stainless steel tube, satin polished, machined collars, adjustable bullet feet |
| Undershelves | 1.0mm gauge, high quality stainless steel, no. 4 finish, top hat stiffening with channels |



| IND - 01.7 | WORK (ISLAND) BENCH | |
|------------|---------------------|------------------------|
| | Product Code | Dimensions |
| | IND - 01.7.0600 | 600mm x 700mm x 900mm |
| | IND - 01.7.0900 | 900mm x 700mm x 900mm |
| | IND - 01.7.1200 | 1200mm x 700mm x 900mm |
| | IND - 01.7.1500 | 1500mm x 700mm x 900mm |
| | IND - 01.7.1800 | 1800mm x 700mm x 900mm |
| | IND - 01.7.2100 | 2100mm x 700mm x 900mm |
| | IND - 01.7.2400 | 2400mm x 700mm x 900mm |